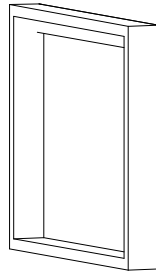


ASSEMBLY INSTRUCTION



x01



x02



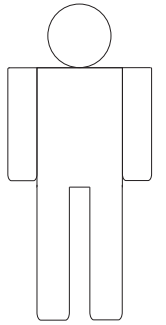
x08



x08

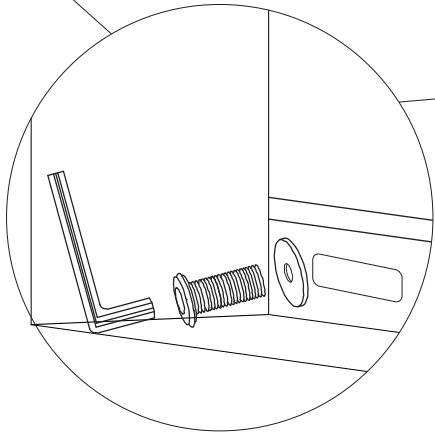
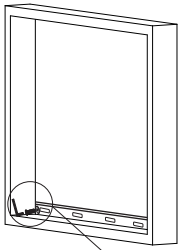


x01

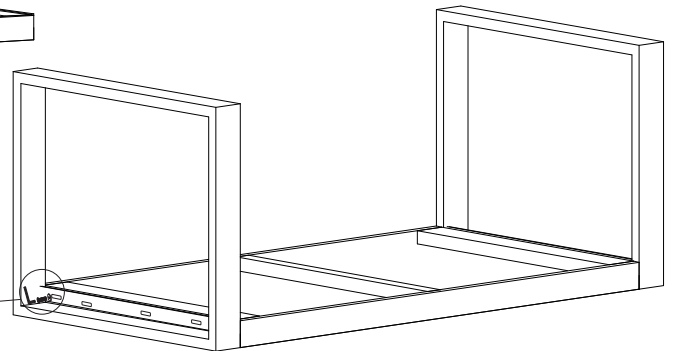


2

Step-1



Step-2



Step-3

